

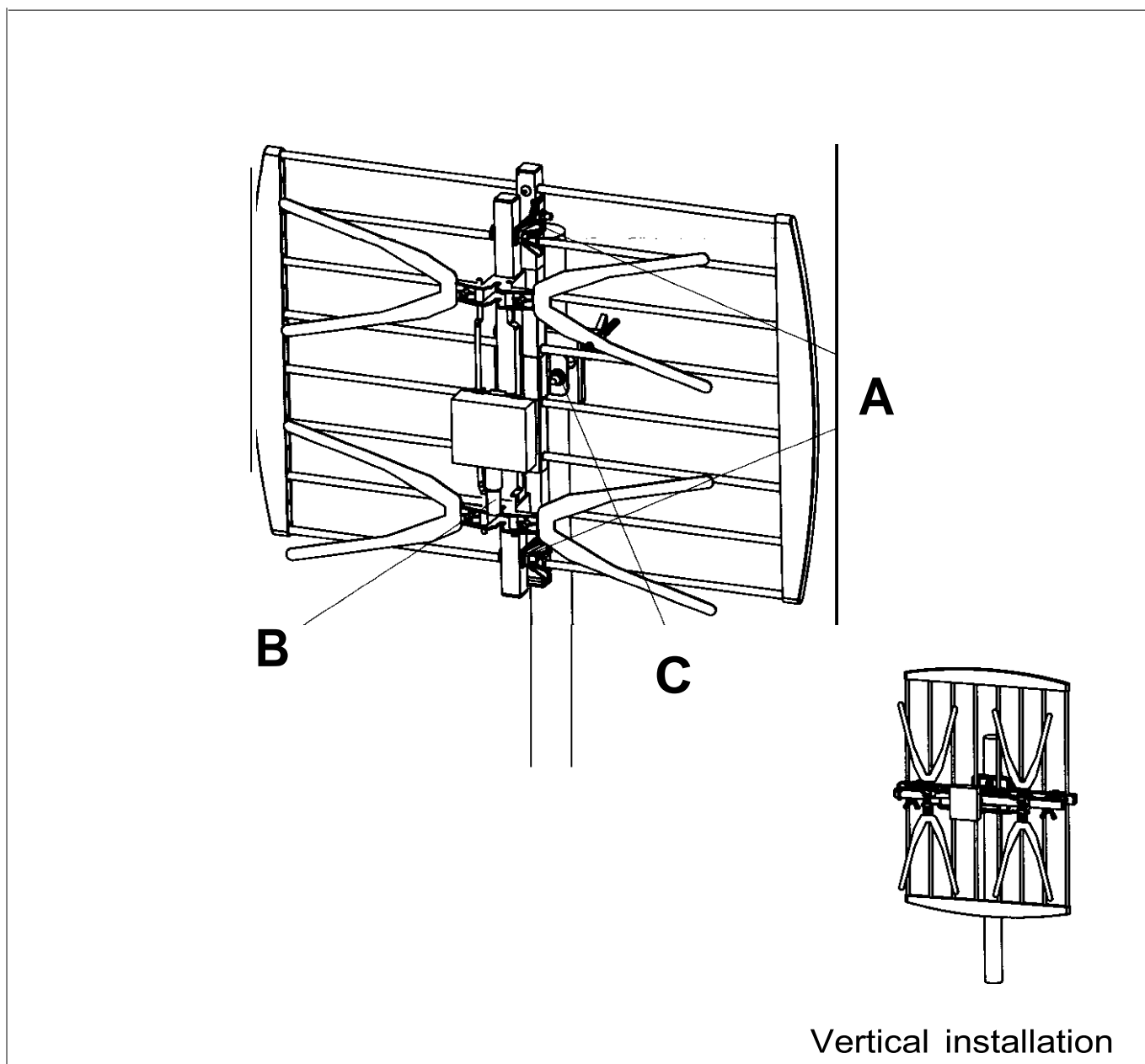
TVAntennaUHF

DTV • 0948

Technical data:

Frequency	Channel	Impedance	No. of elements	Gain	Front-back ratio	Beam width Honz/vertical	Length
470-694 MHz	Ch.21-69	75Q	2	7-11dBi	15-20dB	H60°	407mm

Antenna connection:



Antenna connection:

