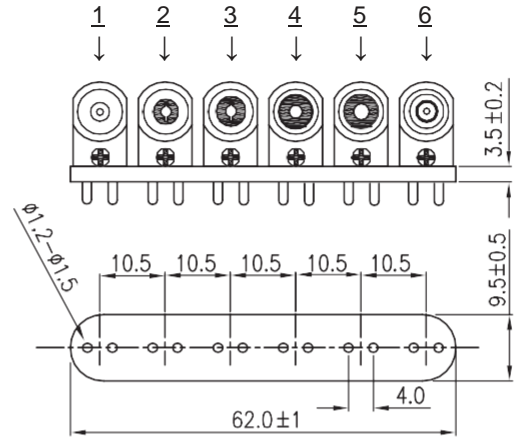
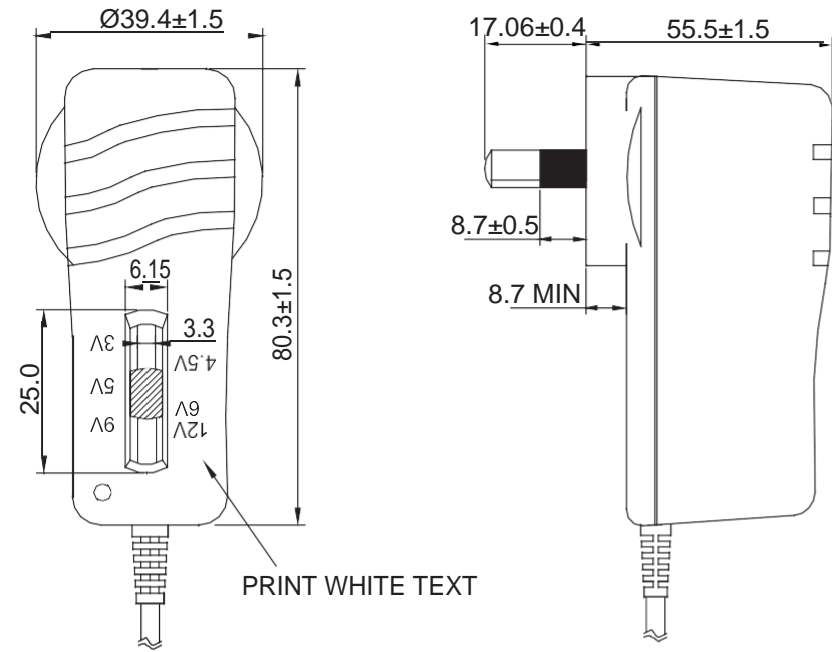
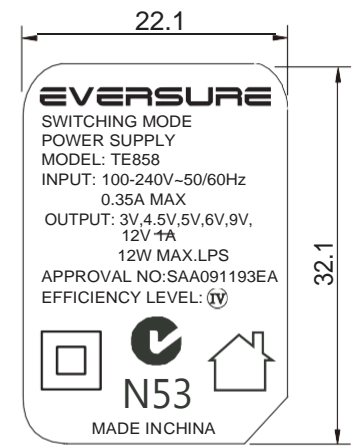


	REVISED	DRAWN	APPROVED
①			
②			

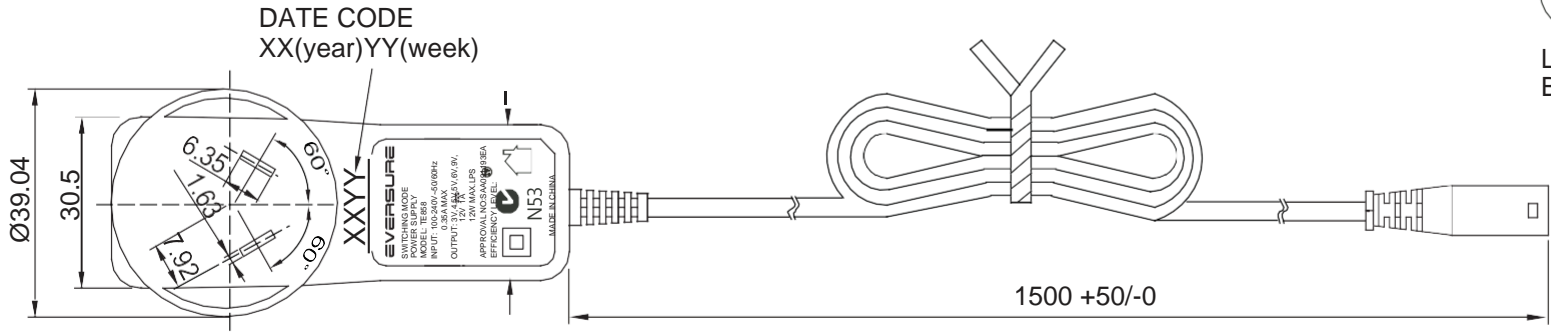


DETAIL PLUGS SPECIFICATION, SEE SHEET 2

- NOTES:
 1. DCCORD: 20AWG 1.5M LeadFree
 2. CASE & CORD: BLACK



LABELARTWORK
 Black words on silver base label



TE DRAWING NO: TE23-0790 PART NO: 3-12VDC1000

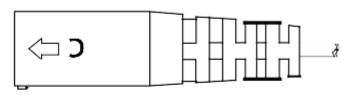
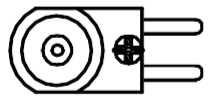
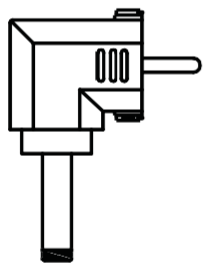
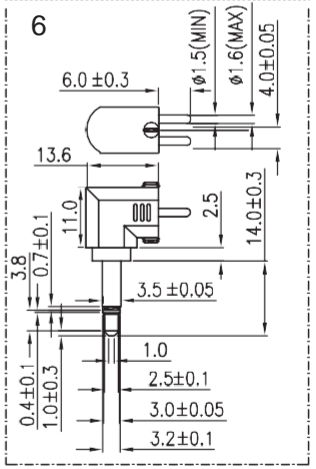
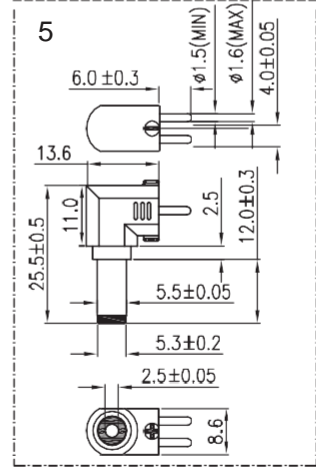
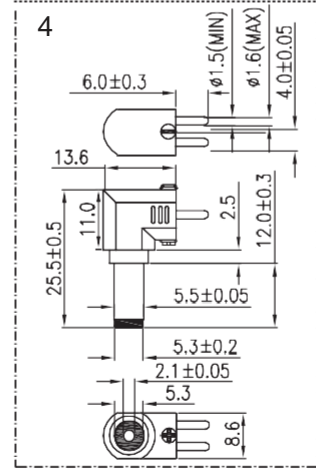
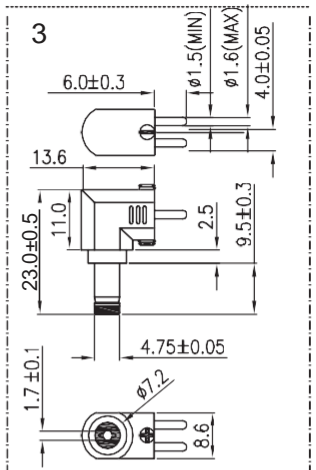
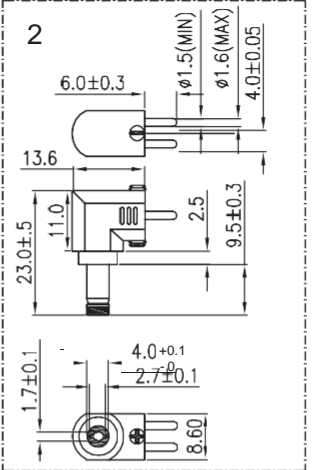
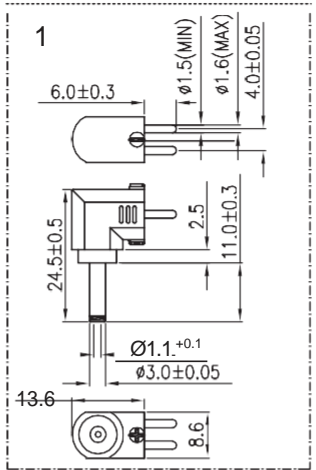
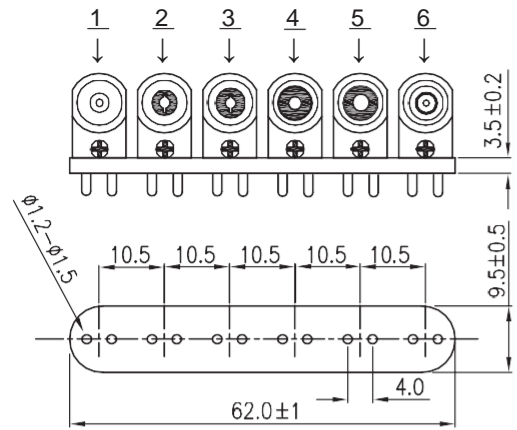
DESCRIPTION: SWITCHING SUPPLY MULTI VOLT 3-12V 1A, 6 PLUG REV

SIZE	A4	DATE	11/11/11	CHECKED	KEVIN 11/11/11		ORDER REF:	0000	SHEET 1 OF 2	TOLERANCES UNLESS OTHERWISE STATED X. = +/-1 .X = +/-0.5 .XX = +/-0.2
UNIT	MM	DRAWN	KEVIN	APPROVED	FRANK 11/11/11		CUSTOMER:	TE		
SCALE	NTS	MANU:				DATE:				



THIS DRAWING AND SPECIFICATIONS ARE THE PROPERTY OF TELEPHONE EQUIPMENT (NSW) Pty Ltd AND SHALL NOT BE REPRODUCED OR USED IN ANY MANNER WITHOUT THE PRIOR WRITTEN CONSENT OF TELEPHONE EQUIPMENT (NSW) Pty Ltd

REVISED	DRAWN	APPROVED
①		
②		



TE DRAWING NO: TE23-0790 PART NO: 3-12VDC1000

DESCRIPTION: SWITCHING SUPPLY MULTI VOLT 3-12V 1A, 6 PLUG REV

SIZE	A4	DATE	11/11/11	CHECKED	KEVIN 11/11/11		ORDER REF:	SHEET 2 OF 2	TOLERANCES UNLESS OTHERWISE STATED X. = +/-1 .X = +/-0.5 .XX = +/-0.2
UNIT	MM	DRAWN	KEVIN	APPROVED	FRANK 11/11/11		CUSTOMER:	TE	
SCALE	NTS	MANU:				DATE:			



THIS DRAWING AND SPECIFICATIONS ARE THE PROPERTY OF TELEPHONE EQUIPMENT (NSW) Pty Ltd AND SHALL NOT BE REPRODUCED OR USED IN ANY MANNER WITHOUT THE PRIOR WRITTEN CONSENT OF TELEPHONE EQUIPMENT (NSW) Pty Ltd